

Features

- Must be used in conjunction with an EPV-7500-* vent
- Low cost, compact design, easy to use
- Universal power: AC or DC
- Touch screen display with LEDs for easy visual indication
- Easy setup with pre-set purge programs for your application
- Automatic pressure compensation with digital manifold
- Rugged, corrosion-resistant housing
- Global third-party approvals for Class I, II, Div. 2 and Zone 2/22

Application

The 7500 series purge and pressurization system consists of a control unit, an enclosure protection vent, and a manual or automatic manifold. The control unit's menu-driven touch screen display makes it easy to select pre-programmed and user-selected variables. The display has 4 LED indicators that allow users to determine system condition from a distance.

A digital manifold system such as the 5500-MAN-... can be used to make the 7500 a fully automatic system. Enclosure pressure and leakage are monitored. If a loss in enclosure pressure occurs, the solenoid valve engages to restore the defined pressure settings and/or trigger a pressure drop alarm.

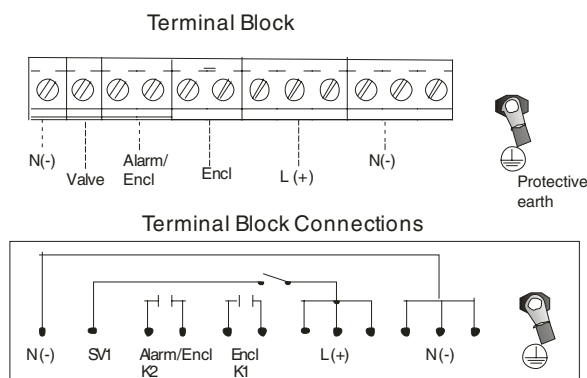
The 7500 series system has NEC, CEC, ATEX, and IECEx third-party certifications for Class I, II/Div. 2 Type Z and Zone 2/22 Ex pzc.



BEBCO EPS®

Connection



Electrical Connections



Release date 2019-07-24 23:13 Date of issue 2019-07-24 70110808_eng.xml

General specifications	
Equipment architecture	max. enclosure size 450 ft ³ (12.7 m ³)
Operating mode	fully automatic (FA)
Series	7500
Hazardous environment	gas or dust
Supply	
Rated voltage U _r	20 ... 30 V DC at 0.1 A 90 ... 250 V AC , 50 ... 60 Hz at 0.04 A without solenoid valve Supply voltage can be line-to-line or line-to-neutral, single phase OVC II
Power consumption	≤ 2.7 W / 7.3 VA without valve
Electrical specifications	
Connection	screw terminals -- see manual for specifications on wire size and torque values
Output	
Output I	
Connection	K1, terminals, 1 x NO
Output type	enclosure power contacts
Contact loading	5 A at 250 V AC , 5 A at 30 V DC, relays must be externally fused inrush current: 50 A
Output II	
Connection	K2, terminals, 1 x NO
Output type	alarm and control contacts
Contact loading	5 A at 250 V AC , 5 A at 30 V DC, relays must be externally fused inrush current: 50 A
Output III	
Connection	K3, terminals, L1 powered contact
Output type	solenoid manifold, contact
Inrush current	5 A
Contact loading	0.5 A at 250 V AC , 0.5 A at 30 V DC, relays must be externally fused
Indicators/settings	
LED indication	K1: Green - Contact K1 is energized (enclosure contacts) K2: Amber - Contact K2 is energized (alarm/control contacts) P/SV: Blue - Safe pressure P1 (minimum enclosure pressure) P/SV: Amber - Solenoid manifold is energized (purging/pressure compensation)
Pneumatic parameters	
Protective gas supply	compressed air or inert gas, 5 µm filter, free from oil
Pressure requirement	supply pressure: 20 ... 120 psig (1.4 ... 8.2 bar)
Safe pressure	0.25 in wc (0.63 mbar) minimum for gas 0.65 in wc (1.63 mbar) minimum for dust
Enclosure pressure	0 ... 10 in wc (0 ... 24.8 mbar)
Directive conformity	
Electromagnetic compatibility	
Directive 2014/30/EU	EN 61326-1:2013 , FCC CFR 47, part 15, subpart B: 2017, Class A ICES-003, Issue 6:2016, Class A ITE
RoHS	
Directive 2011/65/EU (RoHS)	EN 50581:2012
Conformity	
Accuracy	pressure sensing: ± 0.125 in wc (0.31 mbar) timers: ± 5 %
Ambient conditions	
Ambient temperature	Ambient temperature ranges depend on the T class. See the certificates.
Storage temperature	-40 ... 80 °C (-40 ... 176 °F)
Relative humidity	5 ... 90 %, non-condensing
Altitude	≤ 2000 m
Vibration resistance	5 ... 100 Hz , 1 g, 12 m/s ² , all axes
Impact resistance	30 g, 11 ms, all axes
Mechanical specifications	
Connection type	electrical: 2 x 1/2 inch NPTF (open from factory) 1 x M12 opening (plugged from factory) pneumatic: high-pressure port - 1/8 in NPTF, low-pressure port - 1/8 in NPTF
Degree of protection	Type 4X , IP66
Material	lens: Makrolon® GP-V polycarbonate screws: AISI 316 (1.4401), 304, or 18-8 stainless steel housing: A380, A356, or 6061-T6 aluminum mounting gasket: Bisco® HT-800 medium cellular silicone mounting tabs: SAE 304 stainless steel M12 plug: 6061-T6 aluminum
Mass	710 g (1 lb 10 oz)

Release date 2019-07-24 23:13 Date of issue 2019-07-24 70110808_eng.xml

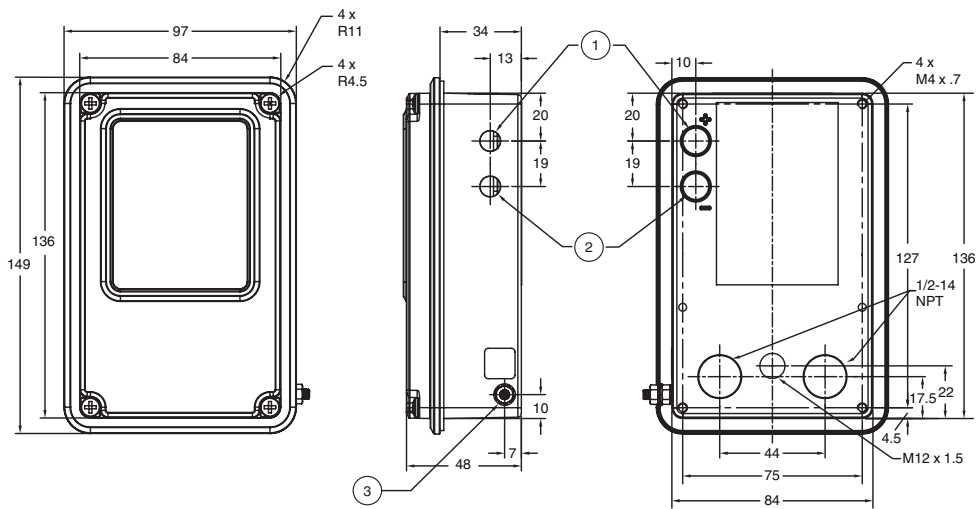
Dimensions	150 x 100 x 50 mm (5.9 x 4 x 2 in)
Data for application in connection with hazardous areas	
Certificate	
Marking	 II 3 G Ex ec nC [pzc] IIC T6...T4 Gc  II 3 D Ex tc [pzc] IIIC T60 °C ... T80 °C Dc
Directive conformity	
Directive 2014/34/EU	IEC/EN 60079-0 , IEC/EN 60079-2 , IEC/EN 60079-7 , IEC/EN 60079-15 , IEC/EN 60079-31 Supplements: EN 61010-1:2010, EN 61326-3-2:2008, EN 61000-6-2:2005
International approvals	
UL approval	
cULus	Class I, Division 2, Groups A, B, C, D T4 (-40 °C ≤ Ta ≤ 70 °C) Class I, Division 2, Groups A, B, C, D T5 (-40 °C ≤ Ta ≤ 65 °C) Class I, Division 2, Groups A, B, C, D, T6 (-40 °C ≤ Ta ≤ 50 °C) Class II, Division 2, Groups F, G T4 (-40 °C ≤ Ta ≤ 70 °C) Class II, Division 2, Groups F, G T5 (-40 °C ≤ Ta ≤ 65 °C) Class II, Division 2, Groups F, G T6 (-40 °C ≤ Ta ≤ 50 °C)
IECEx approval	Ex ec nC [pzc] IIC T6...T4 Gc Ex tc [pzc] IIIC T60 °C ... T80 °C Dc
General information	
Supplementary information	Type Examination Certificate, Statement of Conformity, Declaration of Conformity, Attestation of Conformity and instructions have to be observed where applicable. For information see _____

Accessories

- EPV-7500-AA-01
7500 series purge and pressurization system vent, aluminum body and cap
- EPV-7500-AA-02
7500 series purge and pressurization system vent, aluminum body and cap
- EPV-7500-AA-03
7500 series purge and pressurization system vent, aluminum body and cap
- EPV-7500-AA-04
7500 series purge and pressurization system vent, aluminum body and cap
- EPV-7500-SS-01
7500 series purge and pressurization system vent, aluminum body, stainless steel cap
- EPV-7500-SS-02
7500 series purge and pressurization system vent, aluminum body, stainless steel cap
- EPV-7500-SS-03
7500 series purge and pressurization system vent, aluminum body, stainless steel cap
- 7500-MAN-MV-01
7500 series purge and pressurization system manual manifold
- 5500-MAN-CDUL-120VAC
5500 series manifold, UL and CSA certified, 120 V AC
- 5500-MAN-CDUL-230VAC
5500 series manifold, UL and CSA certified, 230 V AC
- 5500-MAN-CDUL-24VDC
5500 series manifold, UL and CSA certified, 24 V DC
- 5500-MAN-EX01-120VAC
5500 series manifold, ATEX/IECEx certified, 120 V AC
- 5500-MAN-EX01-230VAC
5500 series manifold, ATEX/IECEx certified, 230 V AC
- 5500-MAN-EX01-24VDC
5500 series manifold, ATEX/IECEx certified, 24 V DC

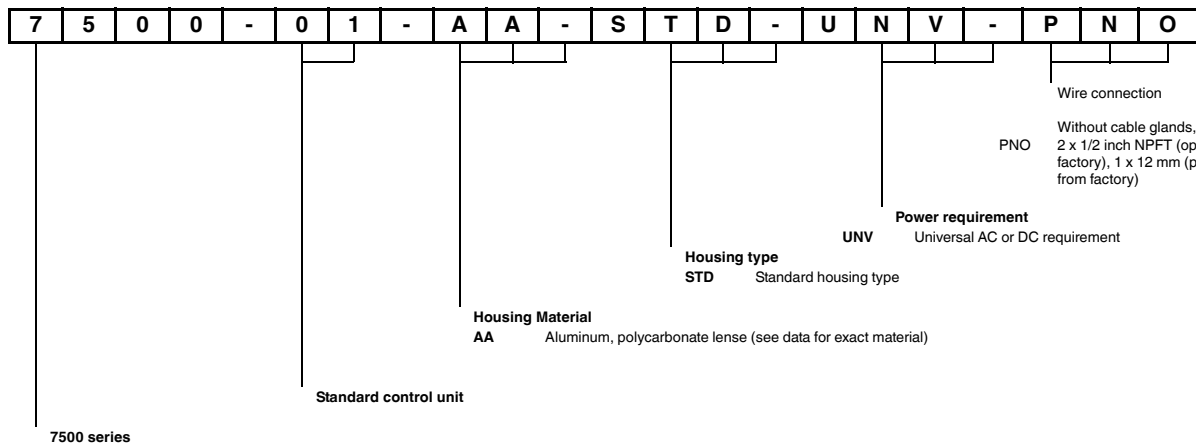
Release date 2019-07-24 23:13 Date of issue 2019-07-24 70110808_eng.xml

Dimensions



1	High-pressure port 1/8-27 NPT
2	Low-pressure port 1/8-27 NPT
3	Protective earth stud, torque 12 in lb (1.35 Nm)

Type Code



Release date 2019-07-24 23:13 Date of issue 2019-07-24 70110808_eng.xml